

CODE NUMBER

24601312

DESCRIPTION

ST-2469 Water Closet and ROYAL 152 ESS Flushometer.

COMPONENTS

- Flushometer: Code 3451658
- Water Closet: Code 2102469

DETAILS

- Flush Volume: 1.28 gpf (4.8 Lpf)
- Nominal Dimensions: 26 ¾" x 15" x 16 ¾" (679 x 381 x 425mm)

FLUSHOMETER FEATURES

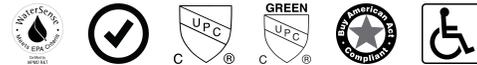
- PERMEX® Synthetic Rubber Diaphragm with Dual Filtered Fixed Bypass
- Handle Packing, Main Seat, Stop Seat and Vacuum Breaker Molded from PERMEX® Rubber Compound for Chloramine resistance
- User friendly three (3) second Flush Delay
- Fixed Metering Bypass and No External Volume Adjustment to Ensure Water Conservation
- OPTIMA® EL-1500 Self-Adaptive Infrared Sensor with Indicator Light
- 13 1/2" x 13 1/2" Wall Box with Stainless Steel Access Panel and Vandal Resistant Screws
- Courtesy Flush™ Override with waterproof stainless steel piezo-electric button
- Wall Box with Stainless Steel Access Panel and Vandal Resistant Screws
- High Back Pressure Vacuum Breaker Flush Connection and Spud Coupling for 1-1/2" Concealed Back Spud
- 1" I.P.S. Wheel Handle Bak-Chek® Angle Stop

FIXTURE FEATURES

- White Vitreous China
- Elongated bowl
- Wall mounted, wall outlet
- Siphon jet flushing action achieves 1000g Map score when used with any Sloan flushometer
- Static load rating of 750 lbs (see Notes)
- Water spot area: 10 7/8" x 9 3/8" (26 cm x 24 cm)
- 1 1/2" I.P.S. rear spud inlet
- 2 1/8" fully glazed trapway
- Toilet seat not included
- Static load rating of 750 lbs. (See Notes)



COMPLIANCES & CERTIFICATIONS



(WaterSense Listed, Satisfies LEED Credits, cUPC Certified, cUPC Green Certified, BAA Compliant, ADA Compliant)

DOWNLOADS

- [Royal/Sloan/Crown SWB ESS Installation Instructions](#)
- [ST-2469 Installation Instructions](#)
- [Additional Downloads](#)

NOTES

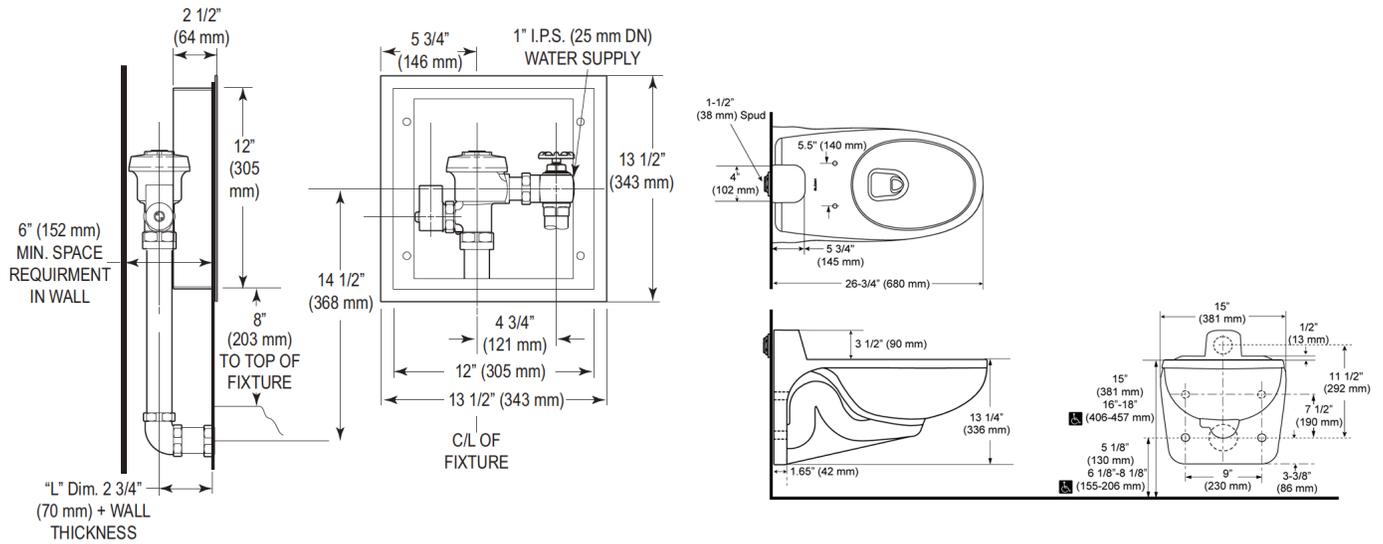
All information contained within this document subject to change without notice.

Static load tested according to the procedure outlined in Section 6.7 of ASME A112.19.2. Not recommended for bariatric use.

Sloan 10500 Seymour Ave, Franklin Park, IL 60131

Phone: 800.982.5839 • Fax: 800.447.8329 • sloan.com

ROUGH-IN



Sloan 10500 Seymour Ave, Franklin Park, IL 60131

Phone: 800.982.5839 • Fax: 800.447.8329 • sloan.com